

Laser 488nm Blue Laser  
(50mW, Solid State)

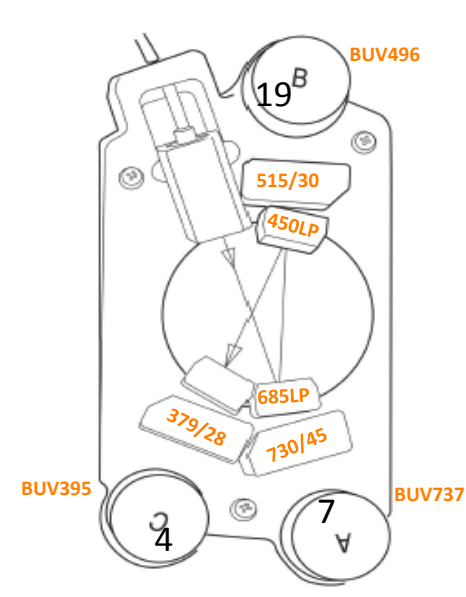
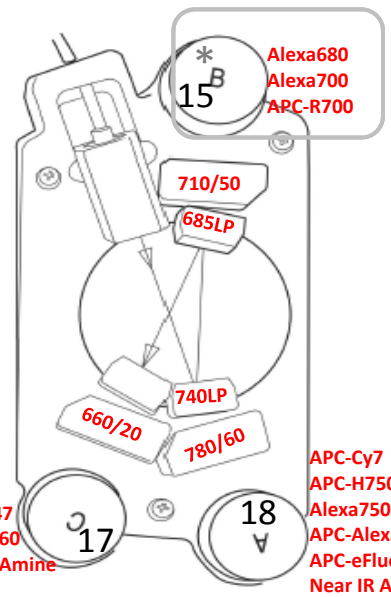
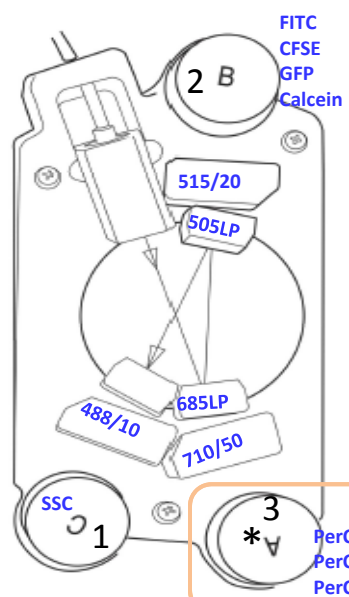
Experiment CFAR Fortessa

Laser 640nm Red Laser  
(100mW, Solid State)

Experiment CFAR Fortessa

Laser 355nm UV Laser  
(20mW, Solid State)

Experiment CFAR Fortessa

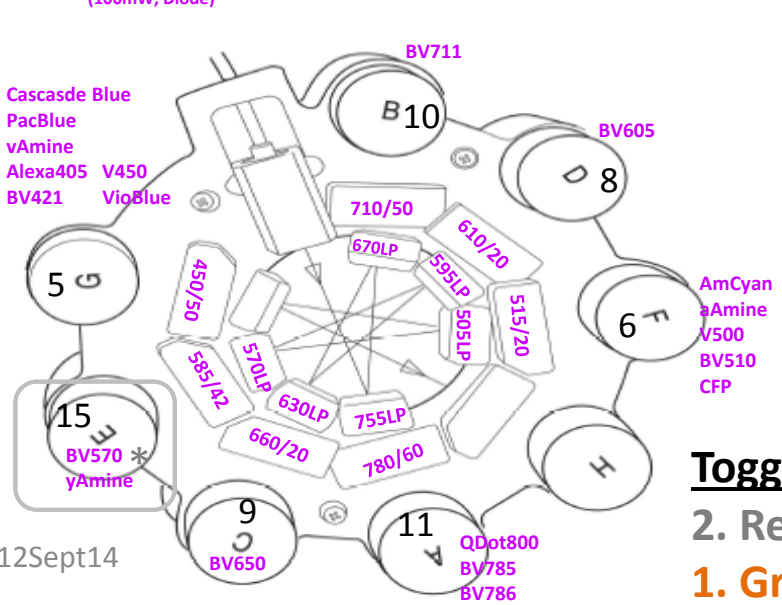
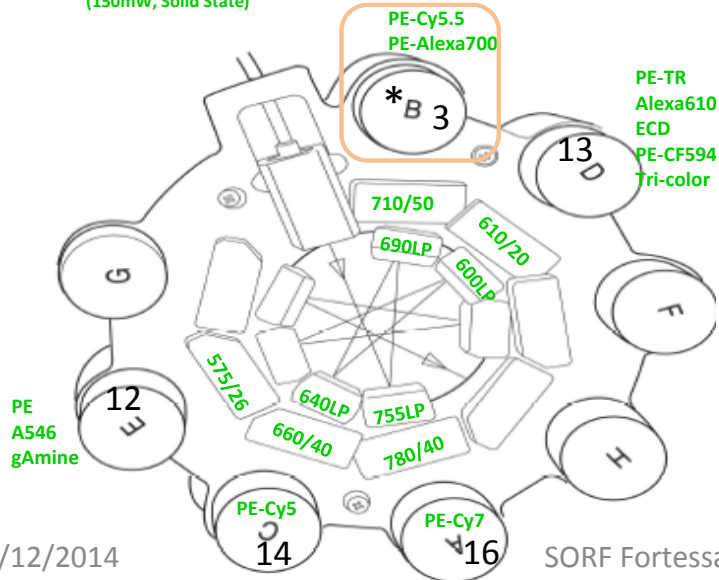


Laser 532nm Green Laser  
(150mW, Solid State)

Experiment CFAR Fortessa

Laser 405nm Violet Laser  
(100mW, Diode)

Experiment CFAR Fortessa



**Toggles:**  
 2. Red B <-> Violet E  
 1. Green B <-> Blue A